
Intermot Hydraulic Motors

IHM Series

H4 Models

IHM 700 – 800 – 900 – 1000 – 1100 – 1200 – 1300 H4

INDEX

TECHNICAL DATA	Pag. 21
IHM 700 – 800 – 900 – 1000	
1100 – 1200 – 1300 H4	Pag. 22
ORDERING INSTRUCTIONS	Pag. 23

IHM H4

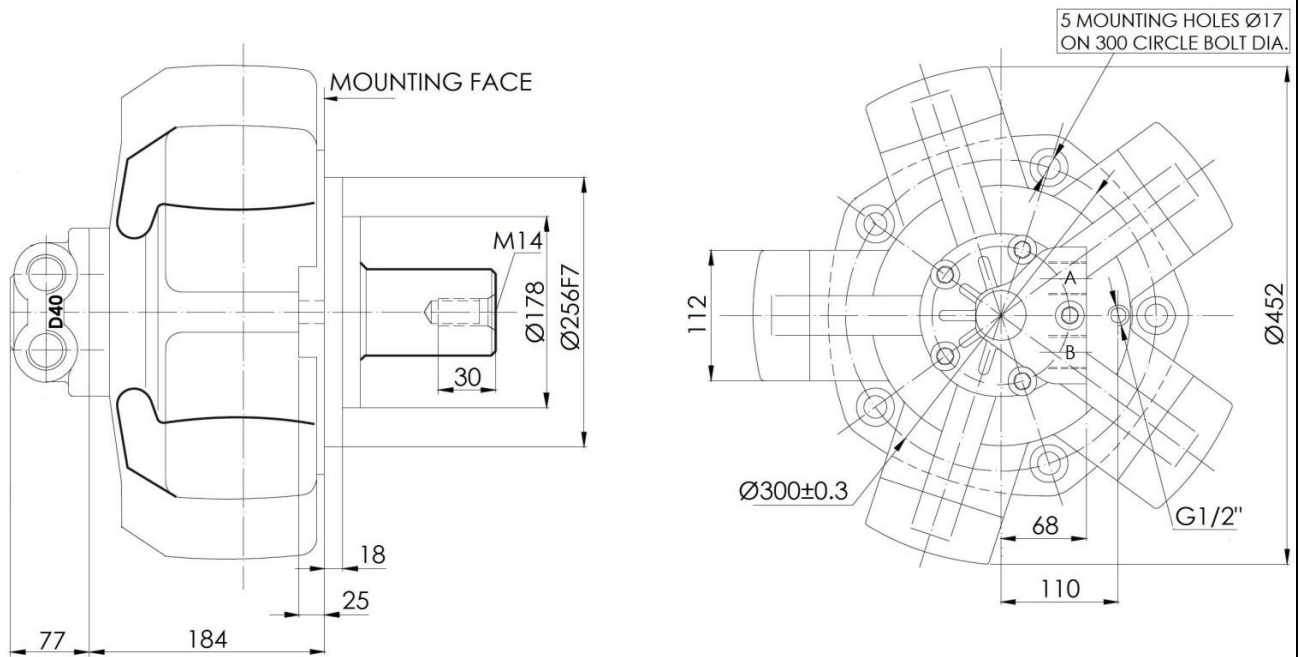
Technical data

MODEL		N° of pistons	Displacement	Pressure		Speed		Torque		Dry Mass
				Max Cont.	Peak	Minimum speed	Max speed	Rated	Specific	
			cm3/rev	bar		rpm		Nm	Nm/MPa	kg
IHM H4	700	5	707	250	320	4	400	2612	104	94
	800		784	250	320	4	400	2899	116	
	900		894	250	320	4	400	3306	132	
	1000		981	200	250	3	320	2902	145	
	1100		1104	200	250	3	320	3265	163	
	1200		1234	160	200	3	320	2919	182	
	1300		1301	160	200	3	250	3079	192	

IHM H4

Dimensional drawings

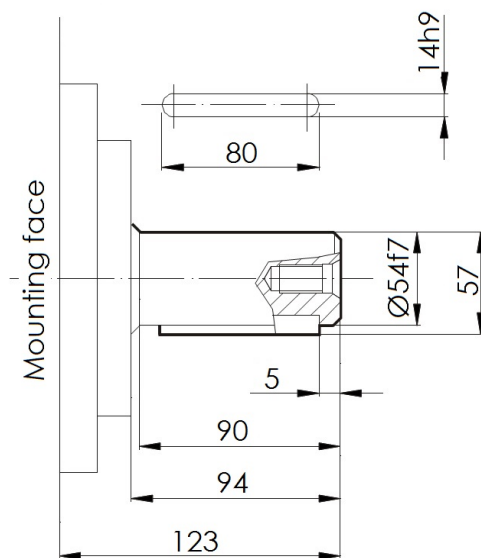
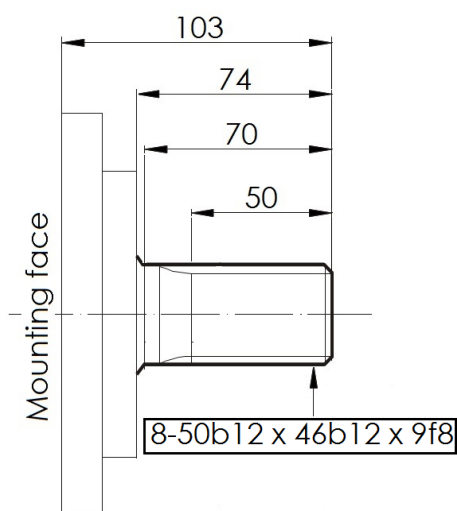
IHM 700 – 800 – 900 – 1000 – 1100 – 1200 – 1300 H4



SHAFTS

A0: Standard splined shaft

A2: Parallel shaft on request



For further shaft configurations, please contact our technical department

IHM H4

Ordering instructions

IHM	_ _ _ _	H4	A _	D _ _
Model				
Displacement				
700 cc/rev				
800 cc/rev				
900 cc/rev				
1000 cc/rev				
1100 cc/rev				
1200 cc/rev				
1300 cc/rev				
		Housing		
H4				
			Shaft	
A0 – Standard splined shaft				
A2 – Parallel keyed shaft				
				Distributor
D31 – ¾" BSP				
D310 – 1" BSP				
D40 – 1" BSP				
D47 – SAE 1" 3000 psi flange				

EXAMPLE : IHM 1000 H4 A0 D40