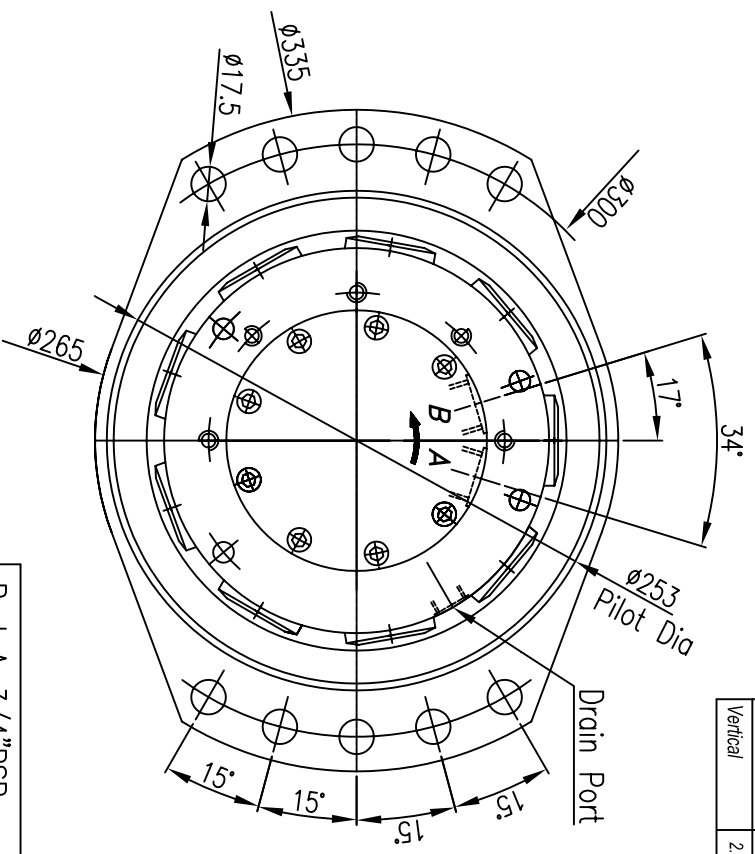
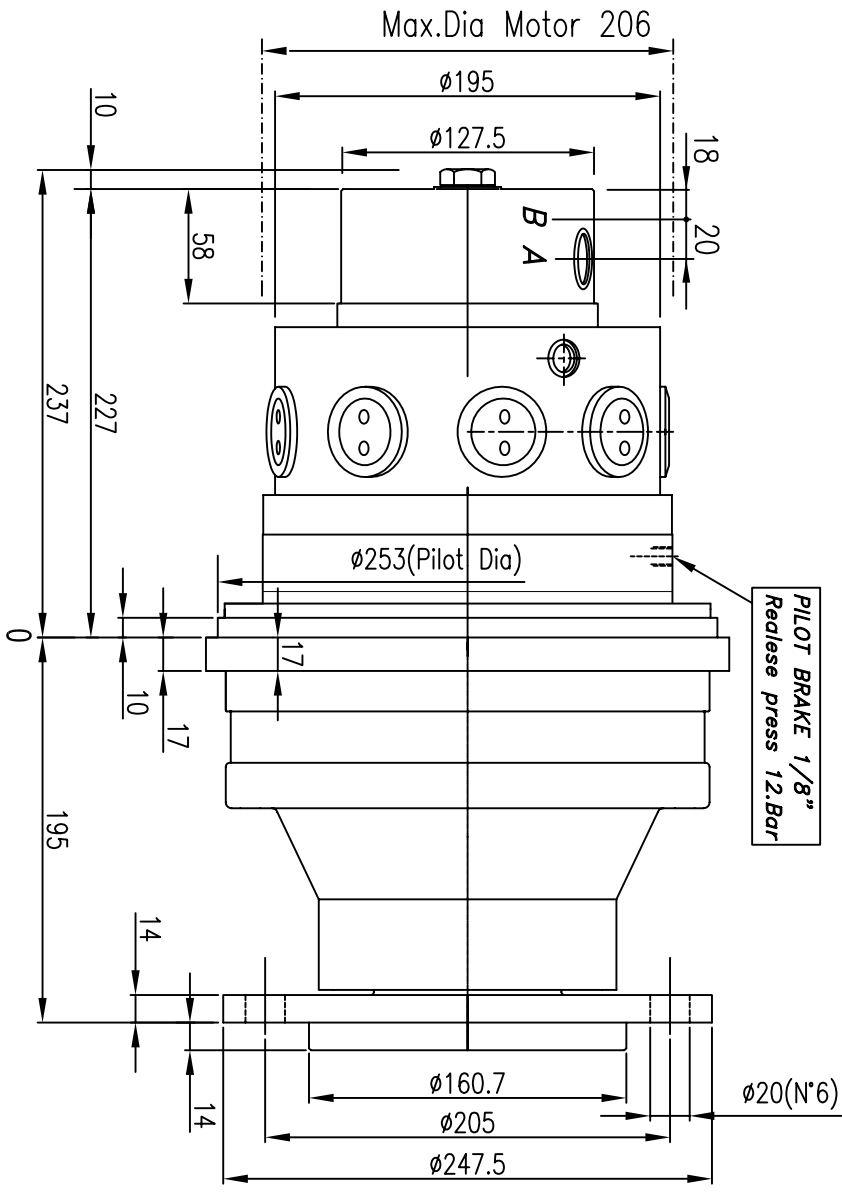


# W.08-G150 (Fixed displacement)

(Preliminary edition)

Oil Reducer-Lit	
Horizontal	1.4
Vertical	2.3



Port A=3/4" BSP  
 Port B=3/4" BSP  
 Drain Port=1/4" BSP

Reducer Ratio	Output Torque Nm		Cont Press. Bar	Max Press. Bar	Power HP	Total Displacement cc/Rev	Max freewheeling speed Rpm	Max Output Rpm
	Cont:	Max:						
1:3.77	2167	3035	250	350	82	546	480	520
1:4.12	2340	3280	250	350	82	597	440	475
1:5.16	2900	4100	250	350	82	747	350	380
1:6	3350	4750	250	350	82	869	300	325
1:7.25	4000	5770	250	350	82	1050	250	270

