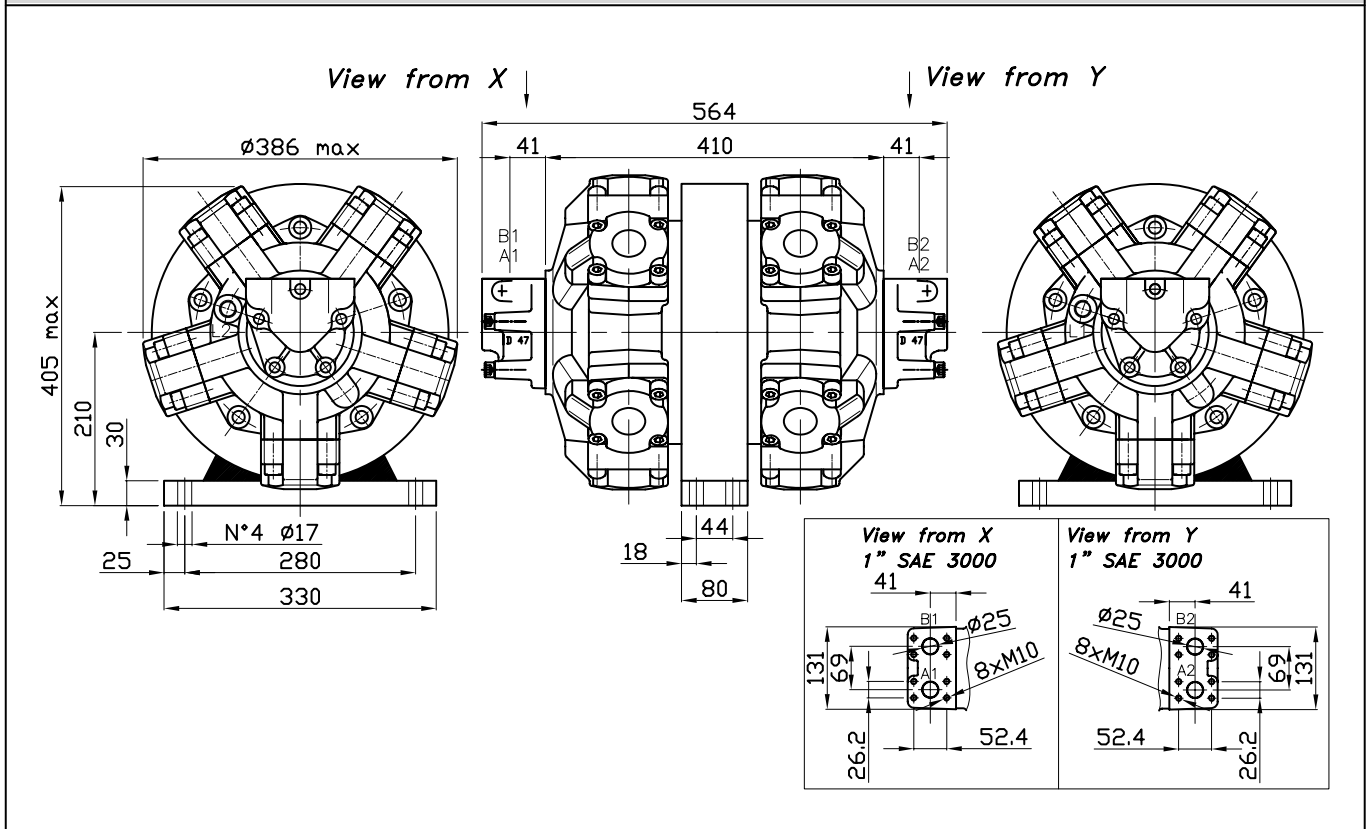


# SIZE

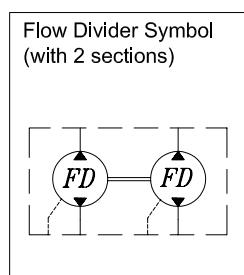
## FD 3 400-450-500 D47



# TECHNICAL DATA

## FD 3 400-450-500 D47

| MODEL    | Flow per section |             | Displacement<br>per section<br>cc/Rev | Working pressure  |                     |                | Power<br>per section<br>kW |
|----------|------------------|-------------|---------------------------------------|-------------------|---------------------|----------------|----------------------------|
|          | l/min (cont)     | l/min (max) |                                       | continuous<br>bar | intermittent<br>bar | maximum<br>bar |                            |
| FD 3 400 | 170              | 190         | 397                                   | 250               | 280                 | 350            | 60                         |
| FD 3 450 | 190              | 215         | 452                                   | 250               | 280                 | 350            | 67                         |
| FD 3 500 | 210              | 230         | 491                                   | 250               | 280                 | 350            | 74                         |
| FD 3 600 | 230              | 260         | 594                                   | 250               | 280                 | 350            | 80                         |



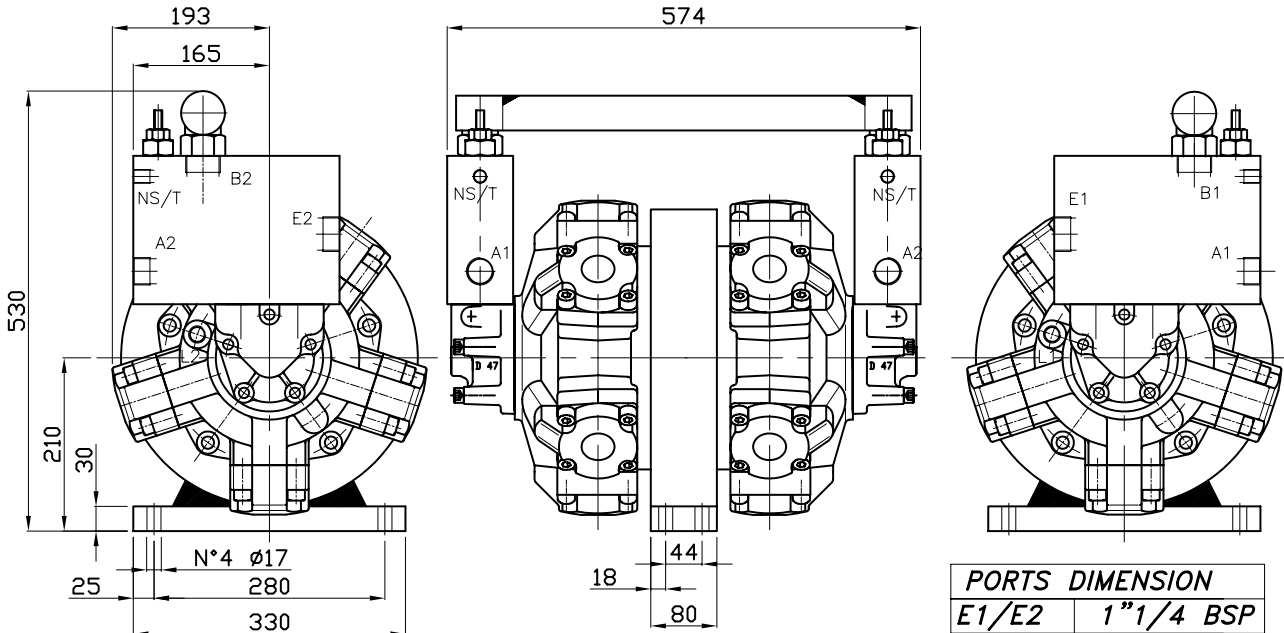
**PORTS DIMENSION**  
L1/L2 | 1/2" BSP

**Dry weight** | 180 kg

**Max case pressure** | 20 bar

# SIZE

## FD 3 400-450-500 D47 VB



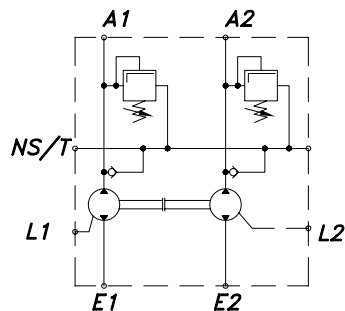
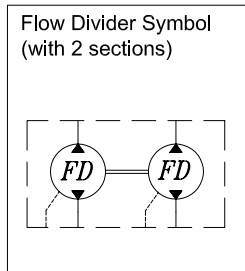
Max case pressure 6 bar

| PORTS DIMENSION |            |
|-----------------|------------|
| E1/E2           | 1"1/4" BSP |
| A1/A2           | 1" BSP     |
| NS/T            | 3/8" BSP   |
| L1/L2           | 1/2" BSP   |

# TECHNICAL DATA

## FD 3 400-450-500 D47 VB

| MODEL    | Flow per section |             | Displacement<br>per section<br>cc/Rev | Working pressure  |                     |                | Power<br>per section<br>kW |
|----------|------------------|-------------|---------------------------------------|-------------------|---------------------|----------------|----------------------------|
|          | l/min (cont)     | l/min (max) |                                       | continuous<br>bar | intermittent<br>bar | maximum<br>bar |                            |
| FD 3 400 | 170              | 190         | 397                                   | 250               | 280                 | 350            | 60                         |
| FD 3 450 | 190              | 215         | 452                                   | 250               | 280                 | 350            | 67                         |
| FD 3 500 | 210              | 230         | 491                                   | 250               | 280                 | 350            | 74                         |
| FD 3 600 | 230              | 260         | 594                                   | 250               | 280                 | 350            | 80                         |



| RELIEF VALVE DATA         |            |
|---------------------------|------------|
| Rated flow                | 40 l/min   |
| Adjustable pressure range | 5-50 bar   |
|                           | 30-100 bar |
|                           | 50-220 bar |
|                           | 80-350 bar |

Dry weight 180 kg

Max case pressure 20 bar