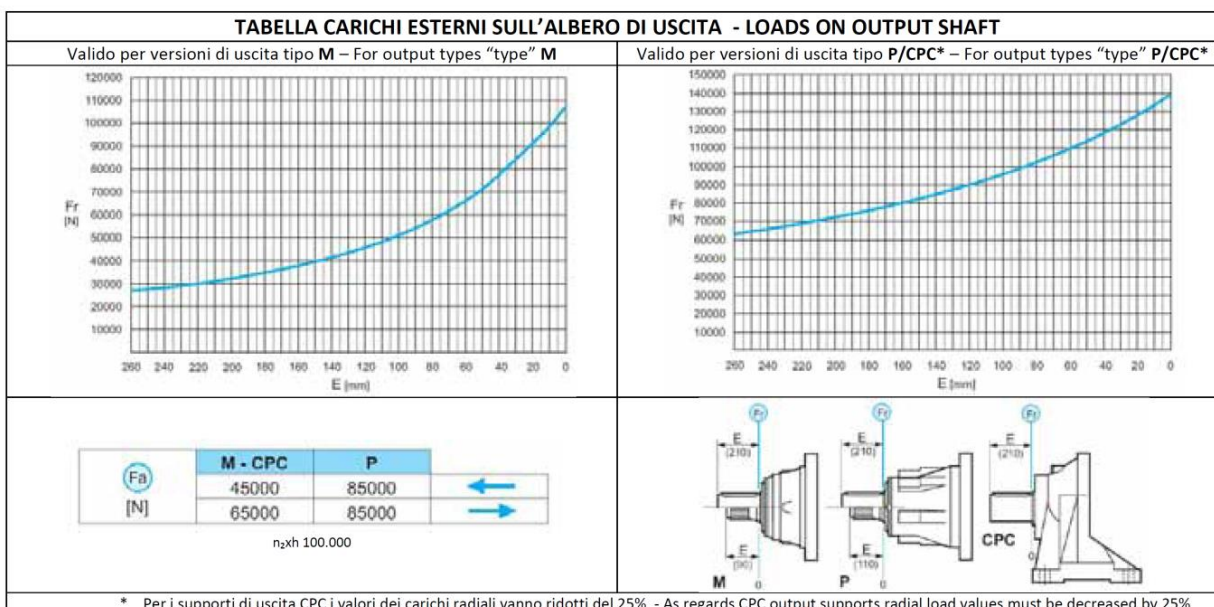


PR 1600

Technical data

PR 1601			PR 1602			PR 1603			PR 1604			PRA 1602			PRA 1603			PRA 1604			
n ₁ max 2000 RPM			n ₁ max 2800 RPM			n ₁ max 2800 RPM			n ₁ max 2800 RPM			n ₁ max 2800 RPM			n ₁ max 2800 RPM			n ₁ max 2800 RPM			
Pt(kW) 40			Pt(kW) 23			Pt(kW) 15			Pt(kW) 11			Pt(kW) 23			Pt(kW) 15			Pt(kW) 11			
i	Mc daNm	Mmax daNm	i	Mc daNm	Mmax daNm	i	Mc daNm	Mmax daNm	i	Mc daNm	Mmax daNm	i	Mc daNm	Mmax daNm	i	Mc daNm	Mmax daNm	i	Mc daNm	Mmax daNm	
3.55	1802	3604	13.4	1802	3604	57.5	1802	3604	351.9	1802	3604	12.2	1802	3604	46.4	1802	3604	140.0	1802	3604	
4.28	1570	3140	16.1	1570	3140	62.8	1802	3604	388.5	1802	3604	14.8	1570	3140	50.6	1802	3604	168.8	1802	3604	
5.60	1201	2402	22.1	1570	3140	75.2	1802	3604	421.2	1802	3604	19.3	1201	2402	61.0	1570	3140	184.3	1570	3140	
6.75	913	1826	28.9	1201	2402	82.1	1802	3604	440.8	1570	3140	23.3	913	1826	76.5	1570	3140	203.5	1570	3140	
			33.6	1201	2402	94.8	1570	3140	459.9	1802	3604	30.4	1201	2402	88.8	1570	3140	230.9	1570	3140	
			40.5	913	1826	109.2	1570	3140	507.7	1802	3604	36.7	913	1826	96.2	1570	3140	240.9	1201	2402	
			48.9	913	1826	118.4	1201	2402	531.4	1570	3140				116.0	1201	2402	290.4	1570	3140	
						123.9	1570	3140	554.3	1802	3604				120.5	1570	3140	301.7	1201	2402	
						129.3	1201	2402	576.0	1201	2402				125.7	1201	2402	320.6	1570	3140	
						143.9	1201	2402	611.9	1570	3140				139.9	1570	3140	347.5	1201	2402	
						155.9	1201	2402	640.5	1570	3140				157.5	1201	2402	379.4	1201	2402	
						188.1	1201	2402	724.4	1201	2402				182.9	1201	2402	418.8	1201	2402	
						195.2	1201	2402	806.4	1201	2402				221.0	1201	2402	457.3	1201	2402	
						209.7	913	1826	907.3	1201	2402				226.4	913	1826	510.3	1201	2402	
						226.8	1201	2402	1008.8	1570	3140							551.9	1201	2402	
						235.4	913	1826	1093.6	1201	2402							665.2	1201	2402	
						274.0	1201	2402	1270.0	1201	2402							803.8	1201	2402	
						330.3	913	1826	1530.9	1201	2402							968.9	913	1826	
									1849.8	1201	2402										
									2229.7	913	1826										

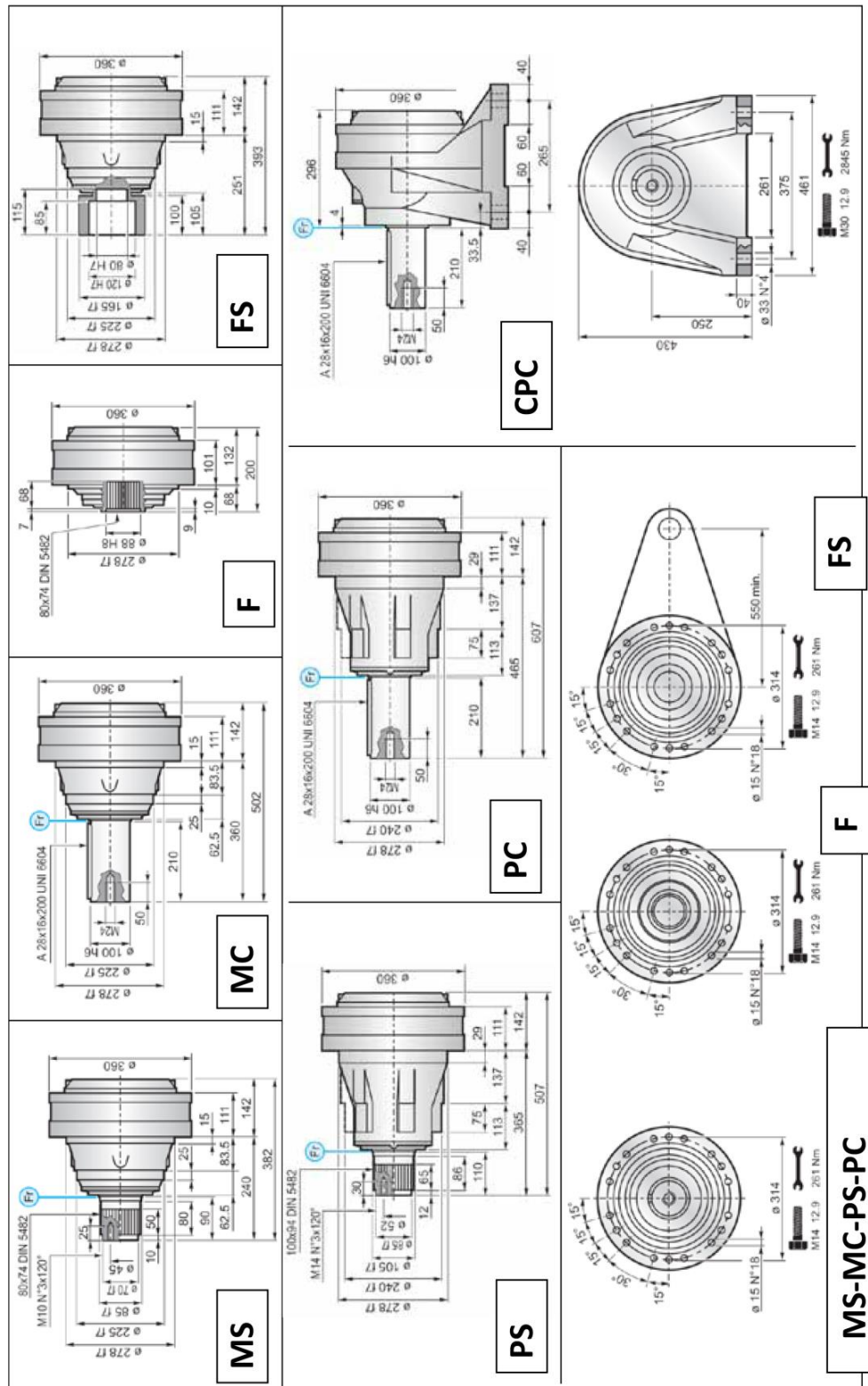
MODELLO - MODEL	PR 1601			PR 1602			PR 1603			PR 1604			PRA 1602			PRA 1603			PRA 1604					
TIPO USCITA - OUTPUT TYPE	M	F	P	M	F	P	M	F	P	M	F	P	M	F	P	M	F	P	M	F	P			
PESO - WEIGHT Kg.	105	74	132	121	90	148	129	98	156	135	104	162	142	111	169	161	130	188	144	113	171			
Olio - Oil Lt.	Orizzontale - Horizontal			2.6	1.9	4.3	3.3	2.6	5.0	3.7	3.0	5.4	4.0	3.3	5.7	4.6	3.9	6.3	5.3	4.6	7.0	6.5	5.8	7.3
	Verticale - Vertical			5.2	3.8	6.9	6.6	5.2	8.3	7.4	6.0	9.1	8.0	6.6	9.7	7.2	5.8	8.9	8.6	7.2	10.3	13.0	11.6	14.6



The data specified into this catalogue are for product description purpose only and must not be interpreted as warranted characteristic in legal sense. Intermot reserves the right to implement modification without notice. 27

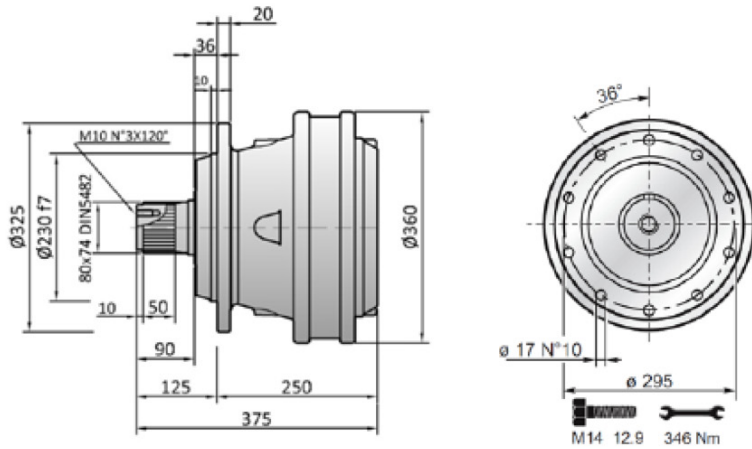
PR 1600

Dimensional drawing

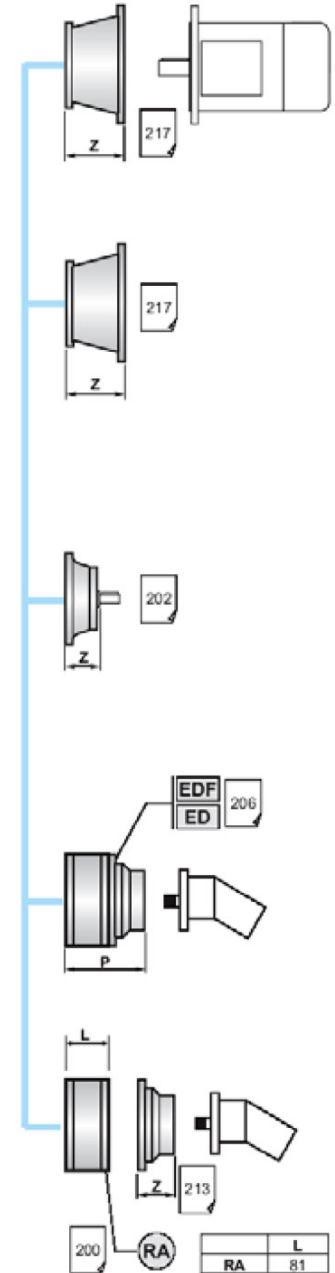


The data specified into this catalogue are for product description purpose only and must not be interpreted as warranted characteristic in legal sense. Intermot reserves the right to implement modification without notice. 28

PR 1600 Special Versions



MFS



	VERSIONE USCITA – OUTPUT TYPE					ENTRATA TIPO INPUT TYPE
	MC – MS FS	F	PC – PS	CPC	MFS	
PR 1601	A 142	A 132	A 142	A 296	A 250	B
PR 1602	A 214	A 204	A 214	A 318	A 311	A
PR 1603	A 275	A 265	A 275	A 429	A 359	A
PR 1604	A 323	A 313	A 323	A 477	A 407	A

	VERSIONE USCITA – OUTPUT TYPE					ENTRATA TIPO INPUT TYPE
	MC – MS FS	F	PC – PS	CPC	MFS	
PRA 1602	A 230, B 240	A 220, B 240	A 230, B 240	A 384, B 240	A 338, B 240	A
PRA 1603	A 315, B 240	A 305, B 240	A 315, B 240	A 469, B 240	A 423, B 240	A
PRA 1604	A 350, B 159	A 340, B 159	A 350, B 159	A 504, B 159	A 458, B 159	A