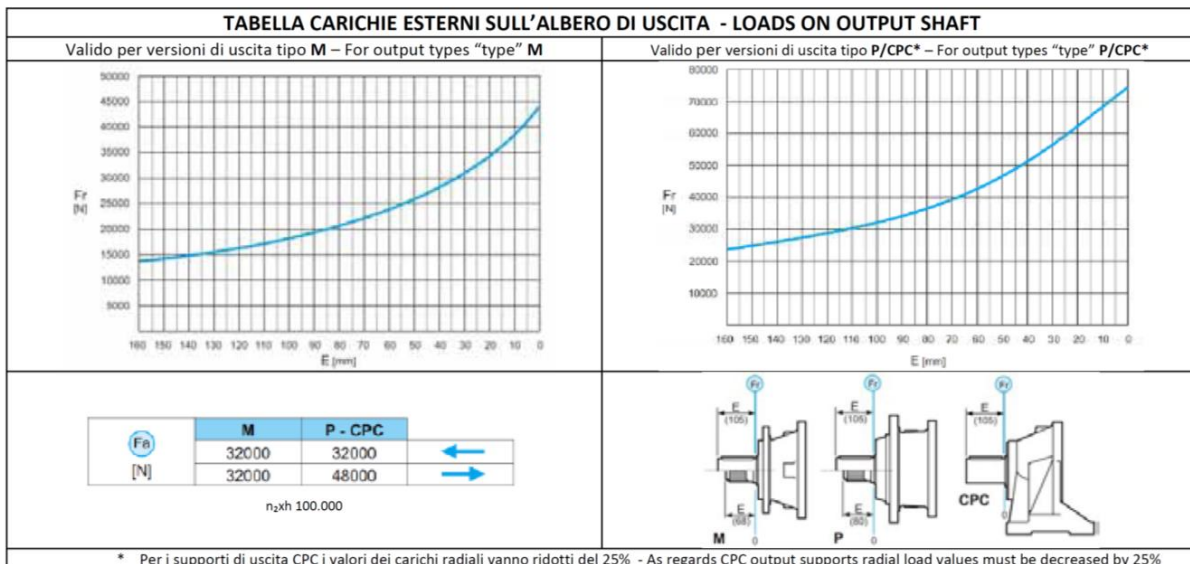


# PR 500

## Technical data

PR 501			PR 502			PR 503			PR 504			PRA 502			PRA 503			PRA 504		
n <sub>1</sub> max 2800 RPM			n <sub>1</sub> max 2800 RPM			n <sub>1</sub> max 2800 RPM			n <sub>1</sub> max 2800 RPM			n <sub>1</sub> max 2800 RPM			n <sub>1</sub> max 2800 RPM			n <sub>1</sub> max 2800 RPM		
Pt(kW) 20			Pt(kW) 15			Pt(kW) 10			Pt(kW) 6			Pt(kW) 15			Pt(kW) 10			Pt(kW) 6		
i	Mc daNm	Mmax daNm	i	Mc daNm	Mmax daNm	i	Mc daNm	Mmax daNm	i	Mc daNm	Mmax daNm	i	Mc daNm	M max daNm	i	Mc daNm	Mmax daNm	i	Mc daNm	Mmax daNm
3.77	511	1022	13.4	511	1022	52.1	466	932	351.9	466	932	13.0	511	1022	39.3	511	1022	140.0	511	1022
4.12	466	932	16.1	511	1022	57.5	511	1022	365.7	381	762	14.2	466	932	47.4	511	1022	168.8	511	1022
5.16	381	762	18.3	381	762	62.8	466	932	388.5	511	1022	17.8	381	762	53.8	381	762	184.3	466	932
6.00	334	668	23.1	466	932	75.2	511	1022	413.8	511	1022	20.5	511	1022	67.7	466	932	220.6	511	1022
7.25	261	522	28.9	381	762	82.1	466	932	424.2	466	932	22.4	466	932	75.4	334	668	240.9	466	932
			34.8	381	762	90.6	511	1022	468.3	511	1022	28.1	381	762	84.8	381	762	265.9	511	1022
			40.5	334	668	98.9	466	932	511.4	466	932	32.6	334	668	91.1	261	522	290.3	466	932
			48.9	261	522	119.3	466	932	554.3	466	932	39.7	261	522	102.2	381	762	320.5	511	1022
						129.3	466	932	611.9	511	1022				118.7	334	668	350.0	466	932
						149.4	381	762	668.2	466	932				143.5	261	522	422.3	334	668
						155.9	466	932	737.6	511	1022							449.4	466	932
						162.0	381	762	805.4	466	932							475.2	381	762
						173.5	334	668	857.9	466	932							509.1	334	668
						195.2	381	762	907.3	381	762							551.9	334	668
						235.4	381	762	1052.4	466	932							615.2	261	522
						273.3	334	668	1121.1	466	932							665.2	334	668
						302.2	381	762	1318.2	381	762							735.5	381	762
						330.3	261	522	1588.9	381	762							801.8	334	668
									1845.2	334	668							1244.0	261	522

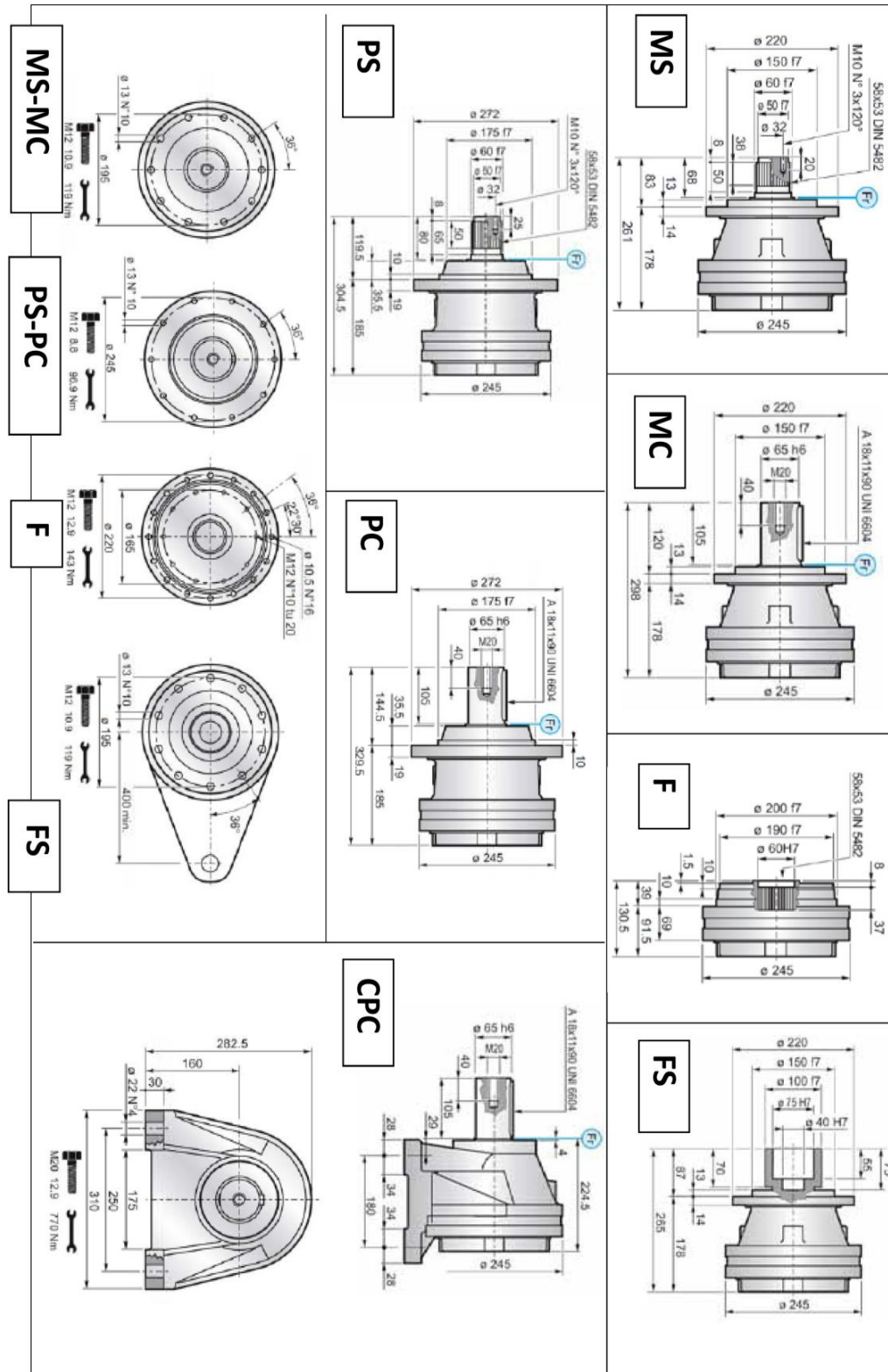
MODELLO - MODEL	PR 501			PR 502			PR 503			PR 504			PRA 502			PRA 503			PRA 504					
TIPO USCITA - OUTPUT TYPE	M	F	P	M	F	P	M	F	P	M	F	P	M	F	P	M	F	P	M	F	P	M	F	P
PESO - WEIGHT	Kg.																							
	33	25	42	41	32	50	47	38	56	53	44	62	51	43	60	59	50	68	65	56	74			
Olio - Oil Lt.	Orizzontale - Horizontal																							
	1.1	0.9	1.3	1.5	1.3	1.7	1.8	1.6	2.0	2.0	1.8	2.2	3.1	2.9	3.3	3.1	2.9	3.3	3.3	3.1	3.5			
	Verticale - Vertical																							
	2.2	1.8	2.6	3.0	2.6	3.4	3.6	3.2	4.0	4.0	3.6	4.4	4.2	3.8	4.6	6.2	5.8	6.6	6.6	6.2	7.0			



The data specified into this catalogue are for product description purpose only and must not be interpreted as warranted characteristic in legal sense. Intermot reserves the right to implement modification without notice. 18

# PR 500

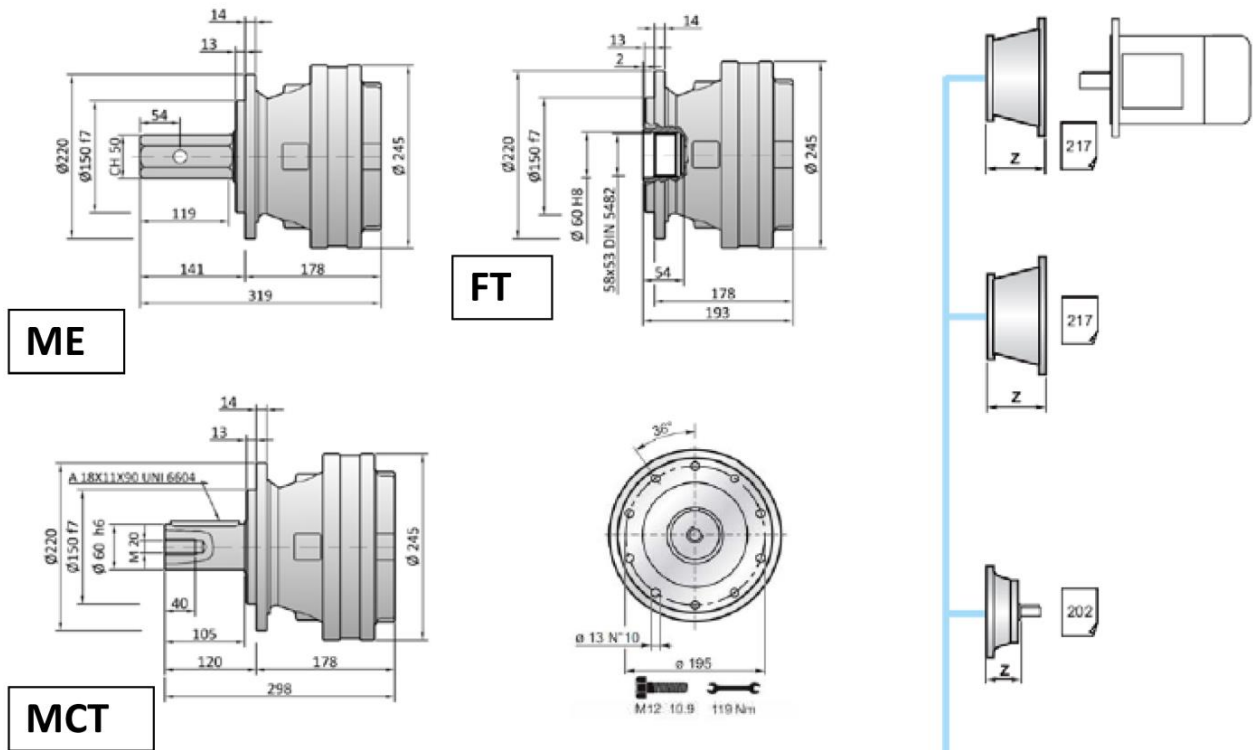
## Dimensional drawings



The data specified into this catalogue are for product description purpose only and must not be interpreted as warranted characteristic in legal sense. Intermot reserves the right to implement modification without notice. 19

# PR 500

## Special versions



**ME**

**FT**

**MCT**

	VERSIONE USCITA - OUTPUT TYPE					ENTRATA TIPO INPUT TYPE
	MC - MS MCT - ME	F	PC - PS	CPC	FS - FT	
PR 501	A 178	A 91.5	A 185	A 224.5	A 178	A
PR 502	A 239	A 152.5	A 245	A 285.5	A 239	A
PR 503	A 287	A 200.5	A 294	A 333.5	A 287	A
PR 504	A 335	A 248.5	A 342	A 381.5	A 335	A

	VERSIONE USCITA - OUTPUT TYPE					ENTRATA TIPO INPUT TYPE
	MC - MS MCT - ME	F	PC - PS	CPC	FS - FT	
PRA 502	A 280, B 240	A 193, B 240	A 287, B 240	A 326, B 240	A 280, B 240	A
PRA 503	A 314, B 159	A 228, B 159	A 321, B 159	A 361, B 159	A 314, B 159	A
PRA 504	A 362, B 159	A 276, B 159	A 369, B 159	A 409, B 159	A 362, B 159	A

