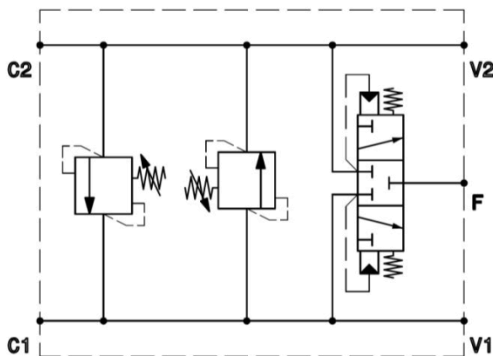
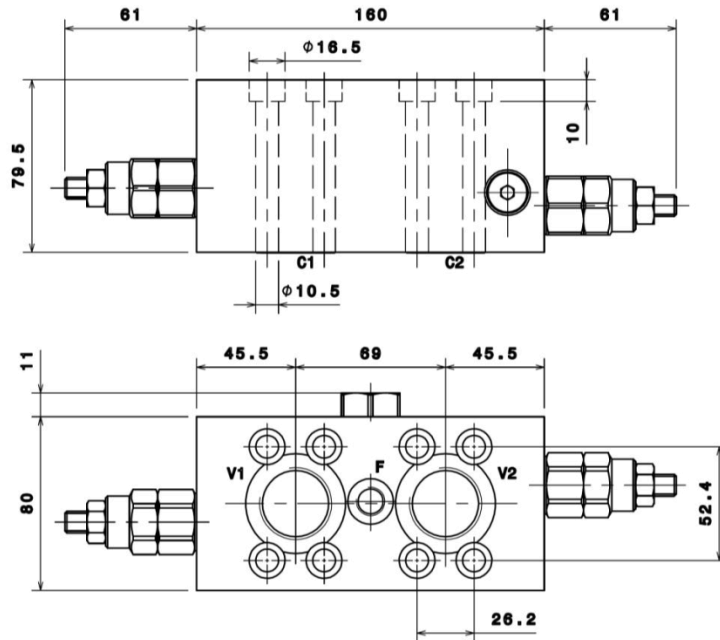


RVDAP 800



TECHNICAL DATA	
Material	Anodized aluminium corrosion resistant
Maximum pressure	300 bar
Maximum flow rate	80 l/min
Relief valve setting range	20-100 bar
	A standard setting 80 bar
	B 40-250 bar
	standard setting 180 bar
C 60-350 bar	
standard setting 250 bar	

PORTS DIMENSION	
V1,V2	1" BSPP
C1,C2	O-Ring 2-125
F	1/4" BSPP

Intermot distributor fitting

D47