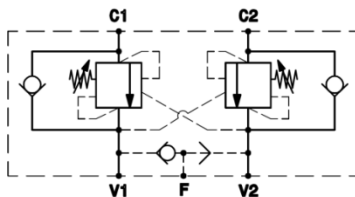
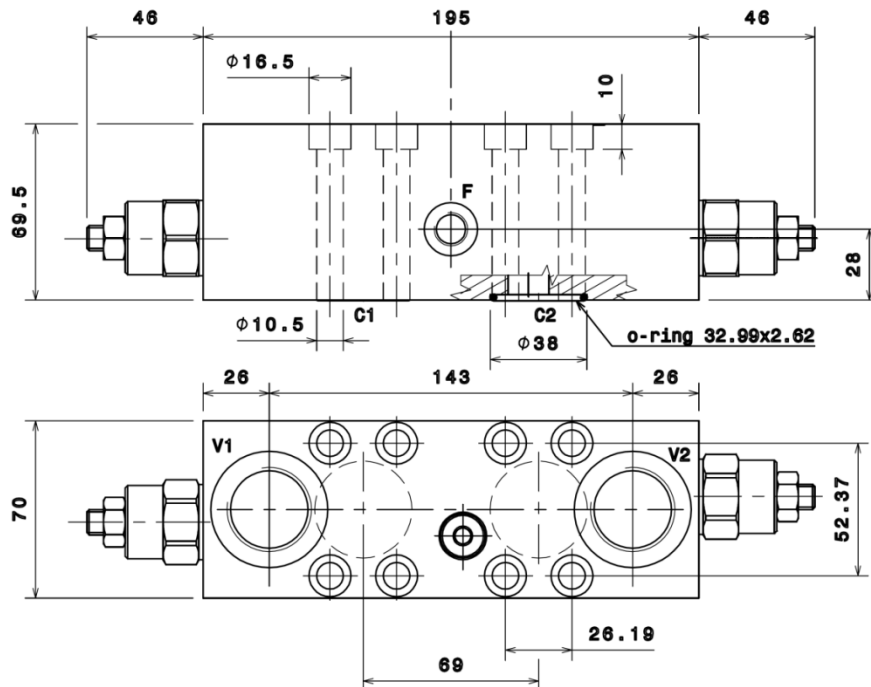


OVDA 160



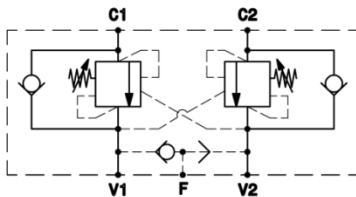
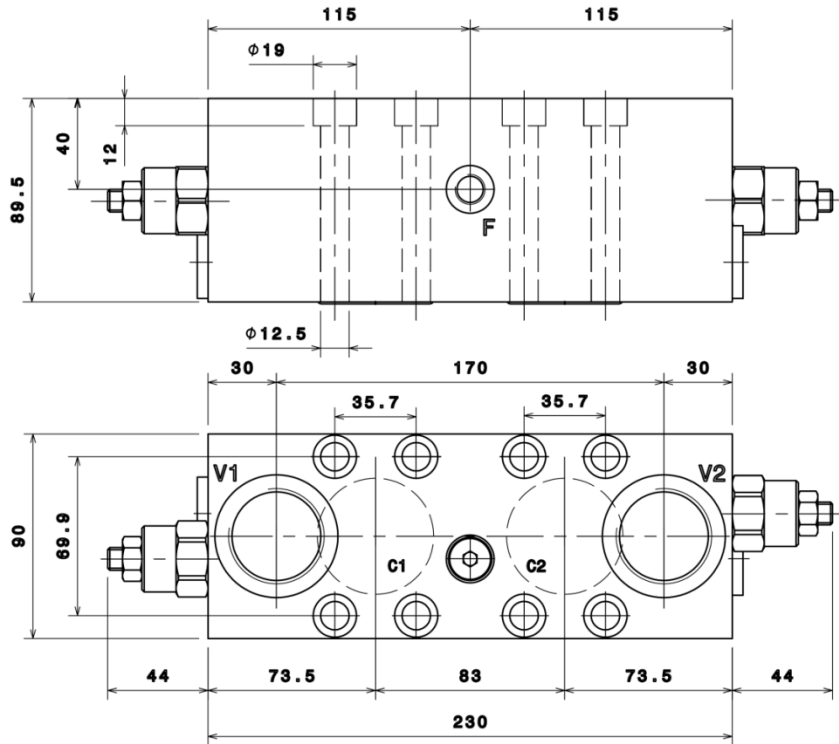
PORTS DIMENSION	
V1,V2	1" BSPP
C1,C2	O-ring 2-125
F	1/4" BSPP

TECHNICAL DATA	
Material	Anodized aluminium corrosion resistant
Peak pressure	350 bar
Maximum pressure	270 bar
Maximum flow rate	150 l/min
Pilot ratio	1 3:1
	2 4.25:1
	3 8:1
	4 10:1
Relief valve setting range	A 20-200 bar standard setting 100 bar
	B 50-350 bar standard setting 280 bar

Intermot distributor fitting

D47

OVDA 300



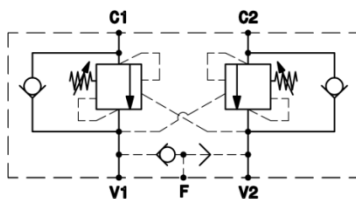
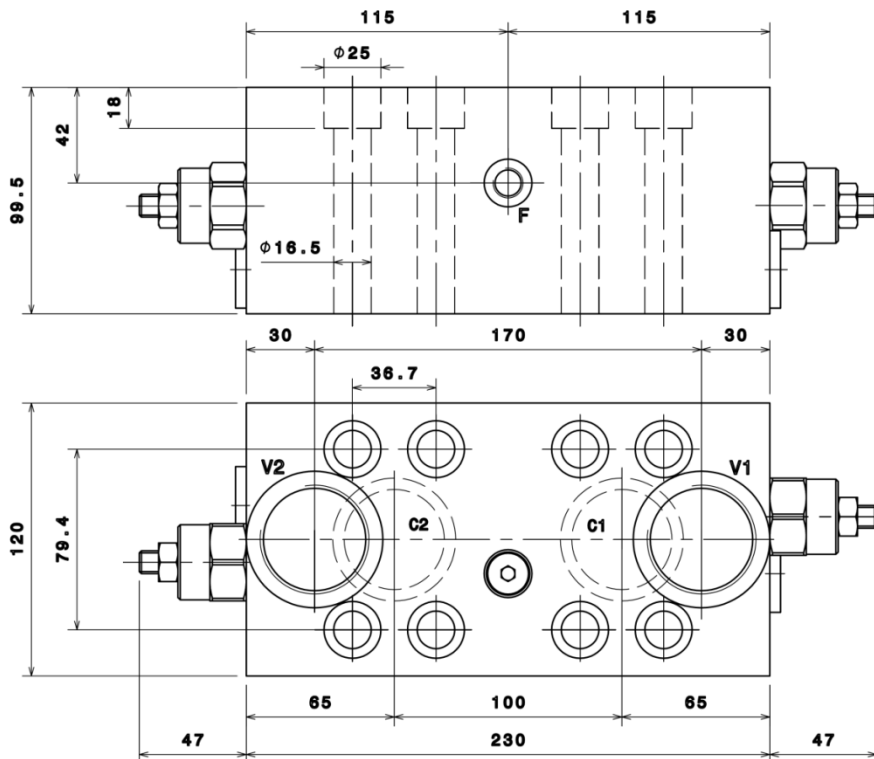
PORTS DIMENSION	
V1,V2	1"1/4 BSPP
C1,C2	O-Ring 2-224
F	1/4" BSPP

TECHNICAL DATA	
Material	Anodized aluminium corrosion resistant
Peak pressure	350 bar
Maximum pressure	300 bar
Maximum flow rate	300 l/min
Pilot ratio	1 3:1
	2 4.25:1
	3 8:1
	4 10:1
Relief valve setting range	A 20-200 bar standard setting 100 bar
	B 50-350 bar standard setting 280 bar

Intermot distributor fitting

D75

OVDA 480



PORTS DIMENSION	
V1,V2	1"1/2 BSPP
C1,C2	O-Ring 2-225
F	1/4" BSPP

TECHNICAL DATA	
Material	Anodized aluminium corrosion resistant
Peak pressure	350 bar
Maximum pressure	300 bar
Maximum flow rate	480 l/min
Pilot ratio	1 3:1
	2 4.25:1
	3 8:1
	4 10:1
Relief valve setting range	A 20-200 bar standard setting 100 bar
	B 50-350 bar standard setting 280 bar

Intermot distributor fitting

D90