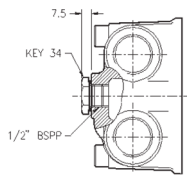
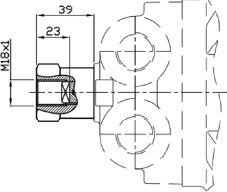
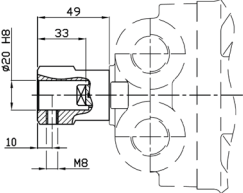


TACHOMETERS

<p>K</p>	<p>Tacho drive plug code K</p>	
<p>TA</p>	<p>Tacho drive code TA</p>	
<p>TB</p>	<p>Tacho drive code TB</p>	
<p>EST</p>	<p>Tacho drive code EST</p>	