
Intermot Hydraulic Motors

IHM Series

H5 Models

IHM 1400 – 1600 – 1800 – 2000 – 2400 H5

INDEX

TECHNICAL DATA	Pag. 25
IHM 1400 – 1600 – 1800	
2000 – 2400 H5	Pag. 26
ORDERING INSTRUCTIONS	Pag. 27

IHM H5

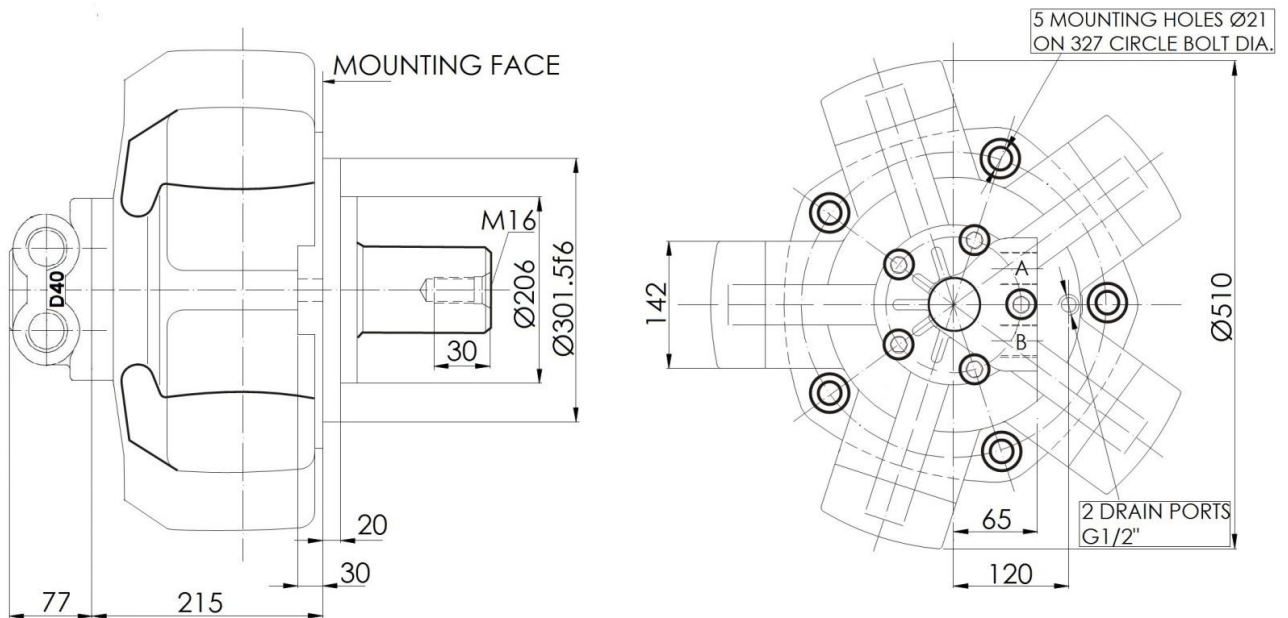
Technical data

MODEL		N° of pistons	Displacement	Pressure		Speed		Torque		Dry Mass
				Max Cont.	Peak	Minimum speed	Max speed	Rated	Specific	
			cm3/rev	bar		rpm		Nm	Nm/MPa	kg
IHM H5	1400	5	1413	250	320	2	400	5224	209	170
	1600		1648	200	250	2	400	4874	244	
	1800		1815	200	250	2	350	5367	268	
	2000		2035	180	225	2	350	5416	301	
	2400		2267	160	200	2	250	5364	335	

IHM H5

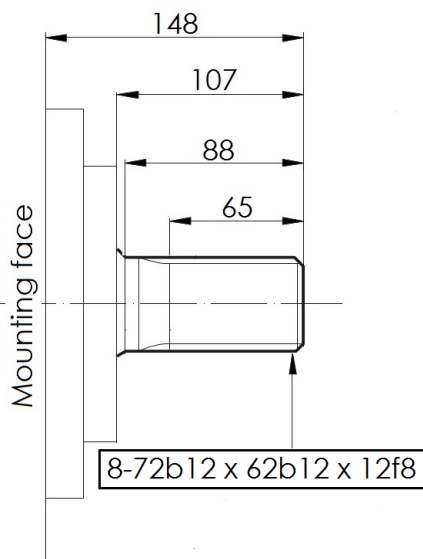
Dimensional drawings

IHM 1400 – 1600 – 1800 – 2000 – 2400 H5

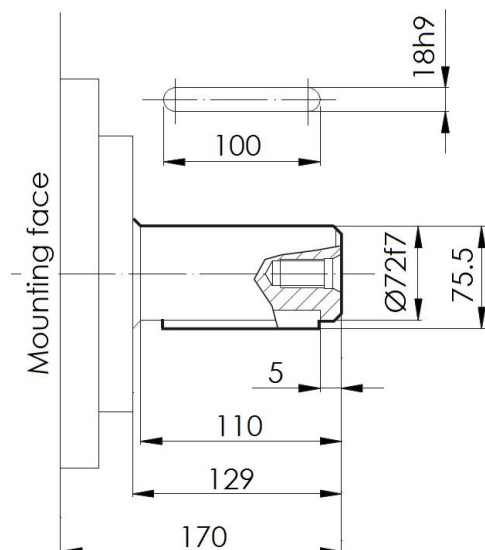


SHAFTS

A0: Standard splined shaft



A2: Parallel shaft on request



For further shaft configurations, please contact our technical department

IHM H5

Ordering instructions

IHM	_ _ _ _	H5	A _	D _ _
Model				
	Displacement			
	1400 cc/rev			
	1600 cc/rev			
	1800 cc/rev			
	2000 cc/rev			
	2400 cc/rev			
		Housing		
	H5			
			Shaft	
	A0 – Standard splined shaft			
	A2 – Parallel shaft on request			
				Distributor
	D90 – SAE 1 ½ " 6000 psi flange			

EXAMPLE : IHM 1800 H5 A0 D90