

***Intermot Hydraulic Motors  
IAM•HD Series***

---

***H5 Models***

---

***IAM•HD 1400 – 1600 – 1800 H5***

---

***INDEX***

TECHNICAL DATA	Pag. 13
IAM•HD 1400 – 1600 – 1800 H5	Pag. 14
ORDERING INSTRUCTIONS	Pag. 15

## IAM•HD H5

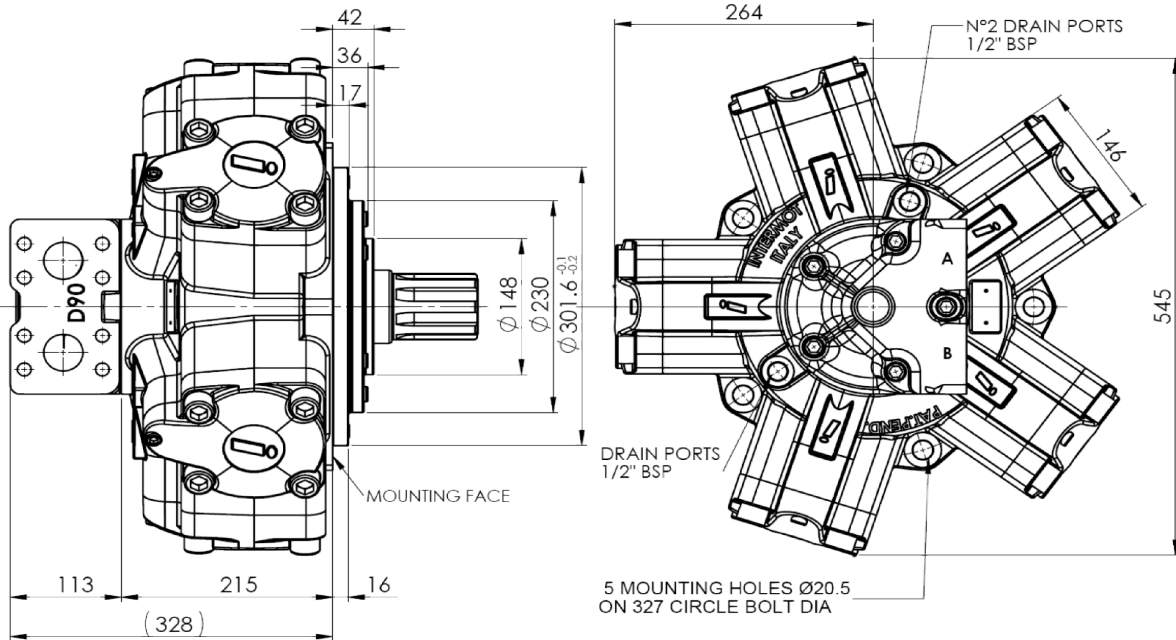
### Technical data

MODEL		N° of pistons	Displacement	Specific Torque	Pressure			Speed		Max Power	Dry Mass	Max case pressure	Max back pressure	Temperature range
					Max Cont.	Max Int.	Peak	Max Cont.	Peak					
					cm <sup>3</sup> /rev	Nm/bar	bar							
IAM•HD H5	1400	5	1376	21.9	270	320	350	410	470	200	173	6	70	-30 ÷ +70
	1600		1648	26.2	270	320	350	370	425	200				
	1800		1815	28.9	270	320	350	340	390	200				

# IAM•HD H5

## Dimensional drawings

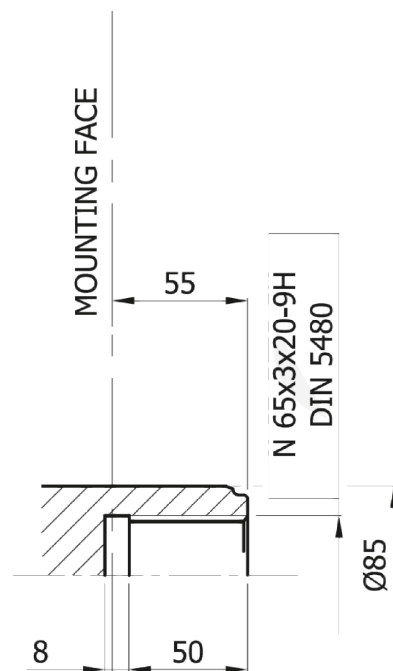
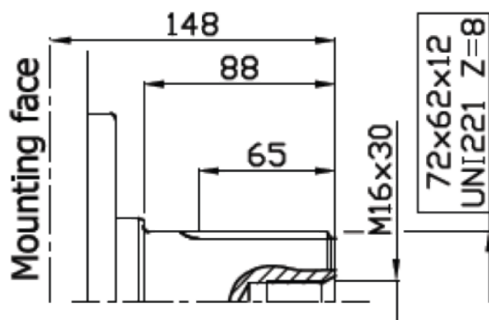
### IAM•HD 1400 – 1600 – 1800 H5



### SHAFTS

A0: Standard splined shaft

A31: Internal splined shaft on request



## IAM•HD H5

### Ordering instructions

<b>IAM•HD</b>	_ _ _	<b>H5</b>	<b>A _</b>	<b>D _ _</b>	<b>SB _</b>
<b>Model</b>					
<b>Displacement</b>					
1400 cc/rev					
1600 cc/rev					
1800 cc/rev					
<b>Housing</b>					
A0 – Standard splined shaft			<b>Shaft</b>		
A31 – Internal splined shaft on request					
				<b>Distributor</b>	
D75					
					<b>Splined Billet</b>
SB6 – 62 UNI 221					

**EXAMPLE: IAM•HD 1600 H5 A0 D90**