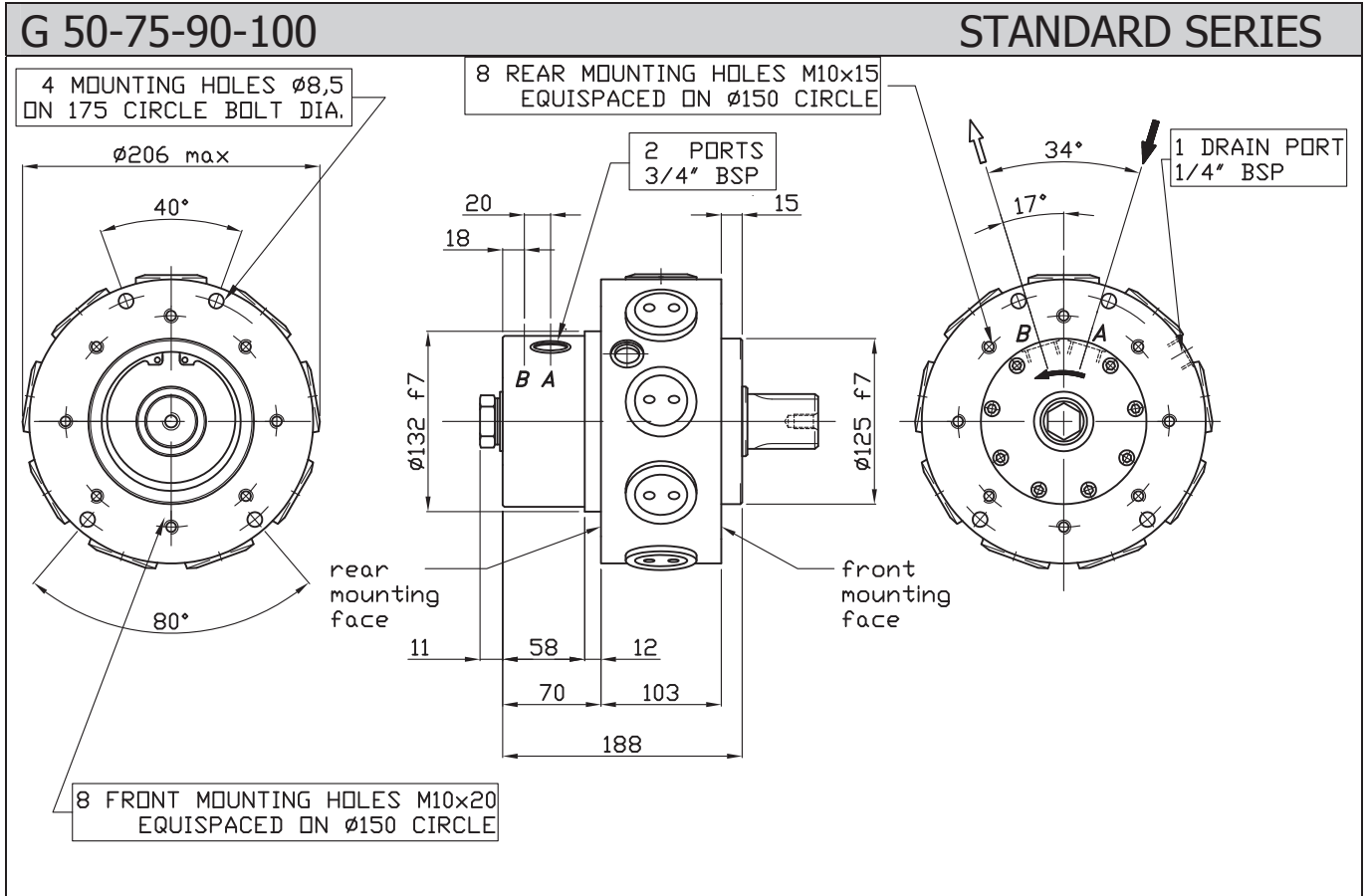
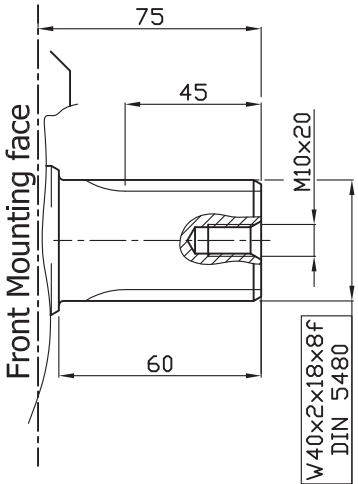
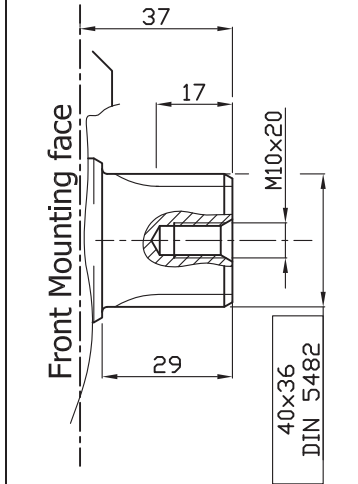
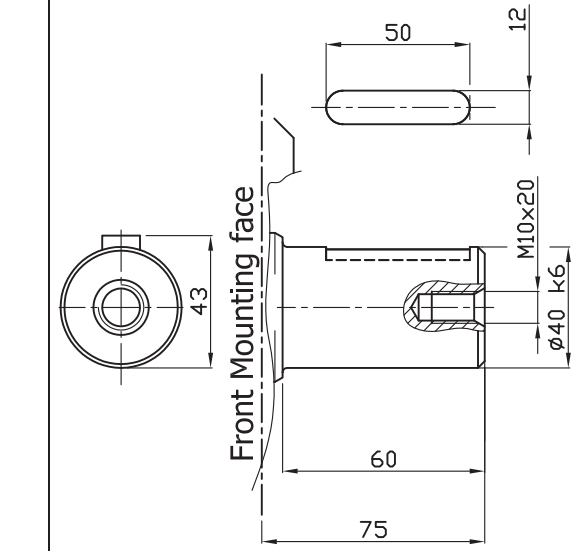


SIZE



SHAFT

G 50-75-90-100		
A0: Standard Splined Shaft	A1: Splined Shaft on request	A2: Parallel shaft on request
 <p>75</p> <p>45</p> <p>60</p> <p>M10x20</p> <p>W40x2x18x8f DIN 5480</p> <p>Front Mounting face</p>	 <p>37</p> <p>17</p> <p>29</p> <p>M10x20</p> <p>40x36 DIN 5482</p> <p>Front Mounting face</p>	 <p>50</p> <p>12</p> <p>43</p> <p>M10x20</p> <p>60</p> <p>75</p> <p>40 K6</p> <p>Front Mounting face</p>