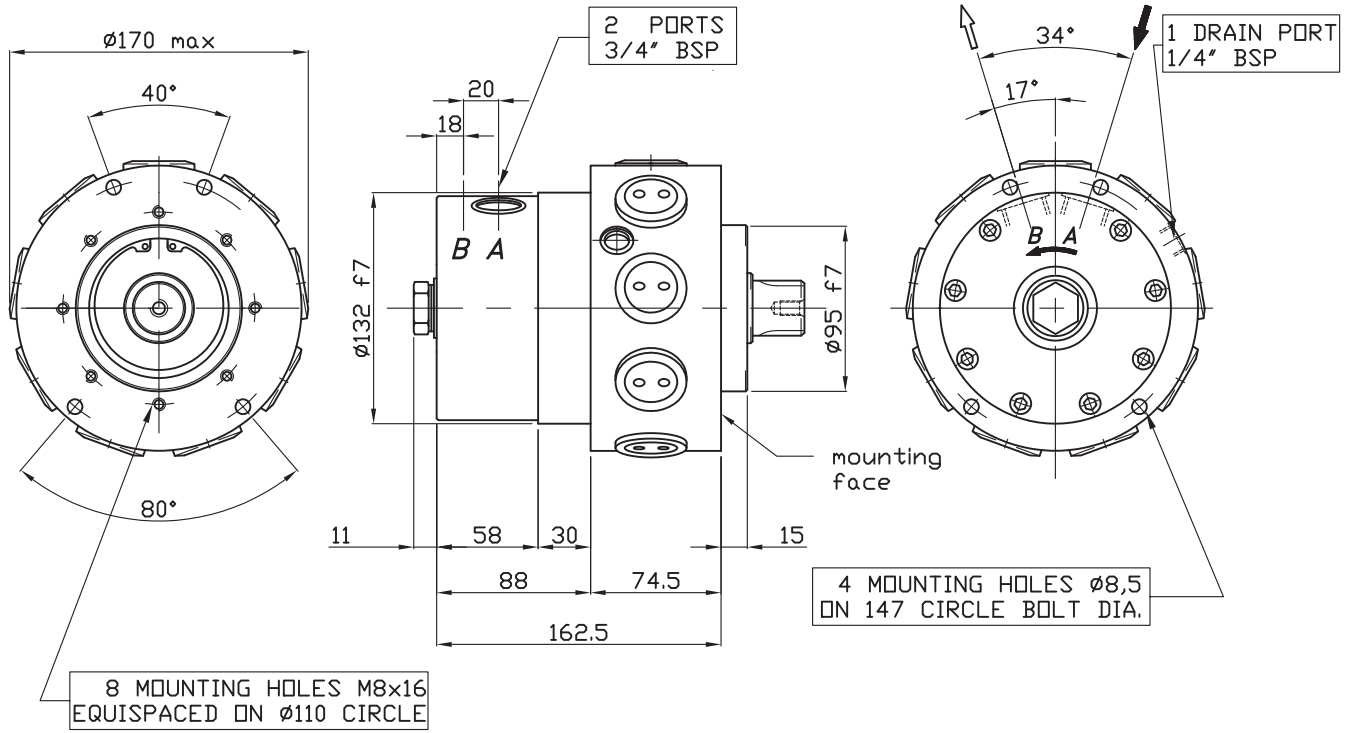


# SIZE

G 20-27-34

STANDARD SERIES



# SHAFT

G 20-27-34

A0: Standard Splined Shaft

A1: Splined Shaft on request

A2: Parallel shaft on request

