

---

# ***Intermot Hydraulic Motors***

## ***IHM Series***

---

### ***H1.5 Models***

---

***IHM 100 – 125 – 150 – 175 – 200 – 250 – 280 H1.5***

---

## ***INDEX***

TECHNICAL DATA	Pag. 9
IHM 100 – 125 – 150 – 175	
200 – 250 – 280 H1.5	Pag. 10
ORDERING INSTRUCTIONS	Pag. 11

## *IHM H1.5*

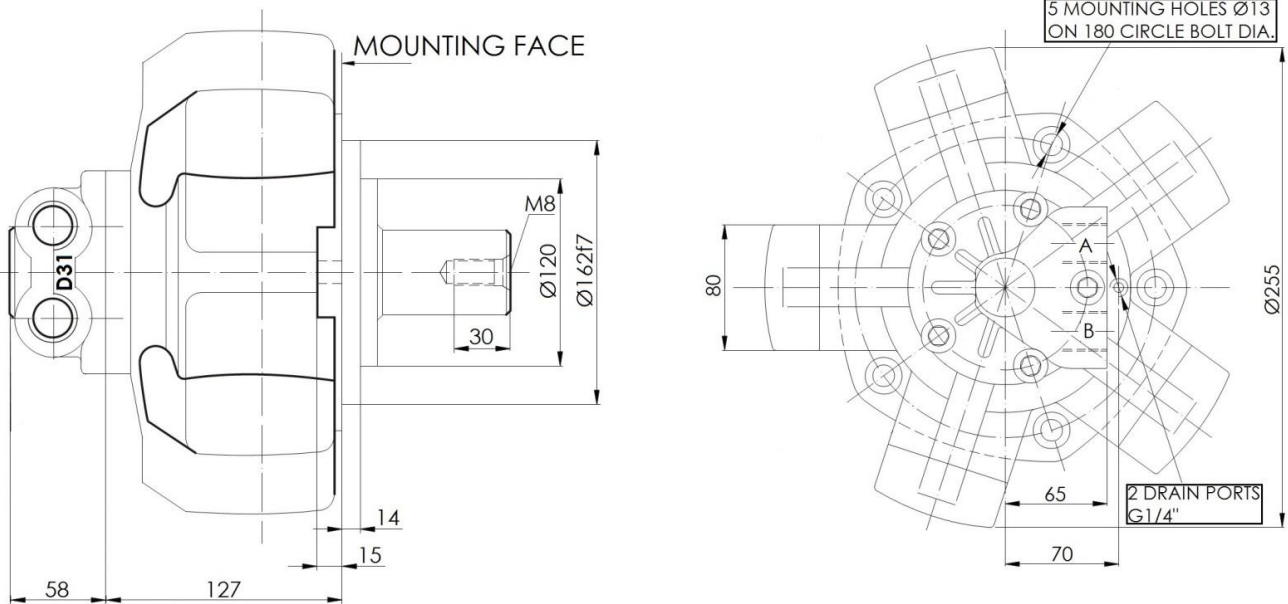
### *Technical data*

MODEL	N° of pistons	Displacement	Pressure		Speed		Torque		Dry Mass
			Max Cont.	Peak	Minimum speed	Max speed	Rated	Specific	
		cm3/rev	bar		rpm		Nm	Nm/MPa	kg
IHM H1.5	100	113	250	320	15	1250	419	17	27
	125	138	250	320	15	1250	512	20	
	150	159	250	320	15	1000	588	24	
	175	180	200	250	15	1000	532	27	
	200	207	200	250	8	800	611	31	
	250	235	160	200	8	630	556	35	
	280	276	160	200	8	500	653	41	

# IHM H1.5

## Dimensional drawings

### IHM 100 – 125 – 150 – 175 – 200 – 250 – 280 H1.5

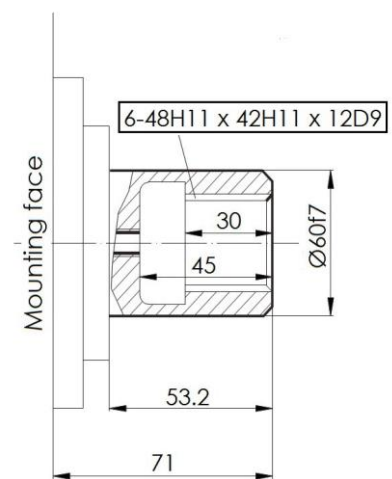
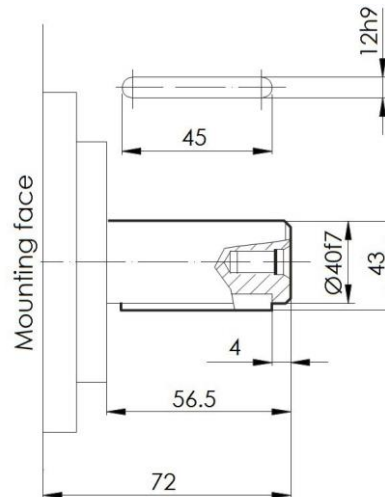
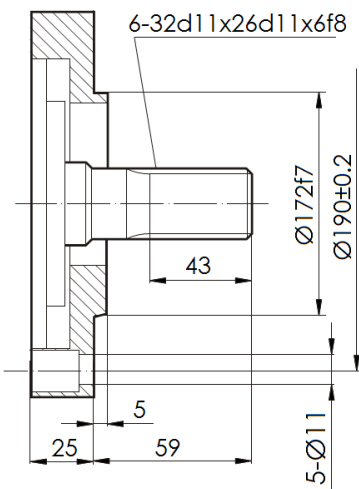


### SHAFTS

A0: Standard Splined Shaft

A2: Parallel Shaft on Request

A3: Internal Splined Shaft



For further shaft configurations, please contact our technical department

# IHM H1.5

## Ordering instructions

IHM	---	H1.5	A _	D _ _
Model				
<b>Displacement</b>				
100 cc/rev				
125 cc/rev				
150 cc/rev				
175 cc/rev				
200 cc/rev				
250 cc/rev				
280 cc/rev				
		<b>Housing</b>		
H1.5				
			<b>Shaft</b>	
A0 – Standard splined shaft				
A2 – Parallel keyed shaft				
A3 – Internal Splined shaft				
				<b>Distributor</b>
D31 – ¾" BSP				
D310 – 1" BSP				
D40 – 1" BSP				
D47 – SAE 1" 3000 psi flange				

**EXAMPLE : IHM 250 H1.5 A0 D31**